

**DUAL LOW NOISE OPERATIONAL AMPLIFIERS****AZ4580****General Description**

The AZ4580 is a monolithic dual low noise operational amplifier. It is specifically designed for audio systems to improve tone control; it can also be used in pre-amplifier, industrial measurement tools and applications where gain and phase matched channels are mandatory.

The IC features internal frequency compensation, low noise, low distortion, high gain and high bandwidth. The AZ4580 can operate under dual power supply voltage up to $\pm 18V$ or single power supply up to 36V.

The AZ4580 is available in DIP-8, SOIC-8, SIP-8 and TSSOP-8 packages.

Features

- Large DC Voltage Gain: 110dB Typical
- Low Input Noise Voltage: $0.7 \mu V_{RMS}$ Typical
- Wide Gain Bandwidth Product: 15 MHz Typical
- Low Distortion: 0.0005% Typical
- Slew Rate: $7V/\mu s$ Typical

Applications

- Audio AC-3 Decoder System
- Audio Amplifier

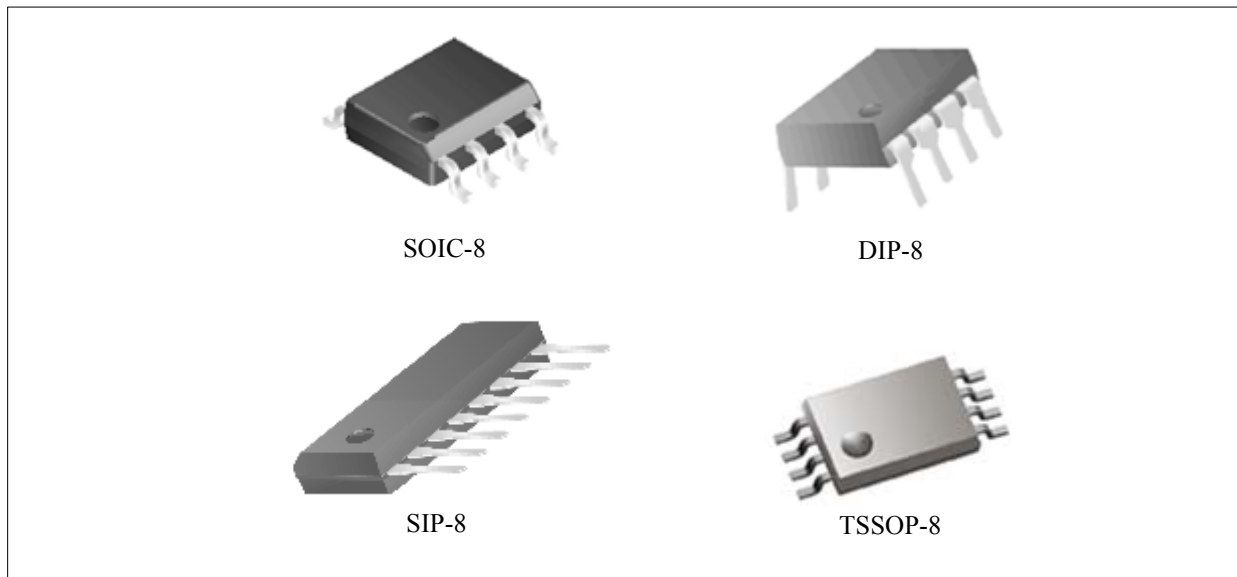


Figure 1. Package Types of AZ4580



DUAL LOW NOISE OPERATIONAL AMPLIFIERS

AZ4580

Pin Configuration

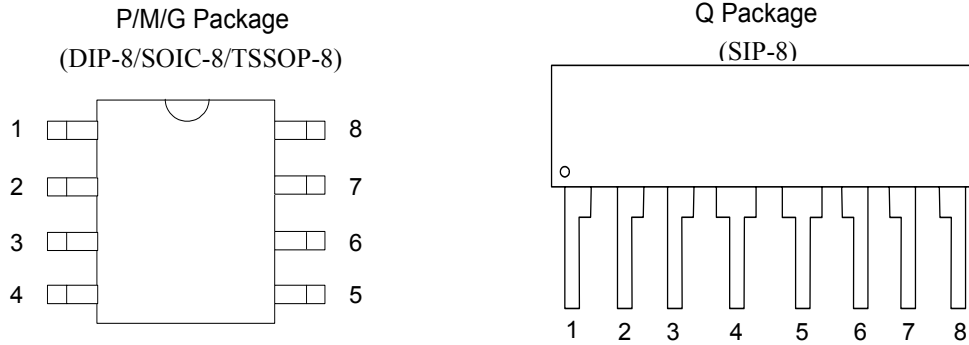


Figure 2. Pin Configuration of AZ4580 (Top View)

Pin Description

Pin No.	Function	Pin No.	Function	Pin No.	Function	Pin No.	Function
1	OUTPUT 1	2	INPUT 1-	3	INPUT 1+	4	V_{EE}
5	INPUT 2+	6	INPUT 2-	7	OUTPUT 2	8	V_{CC}

Functional Block Diagram

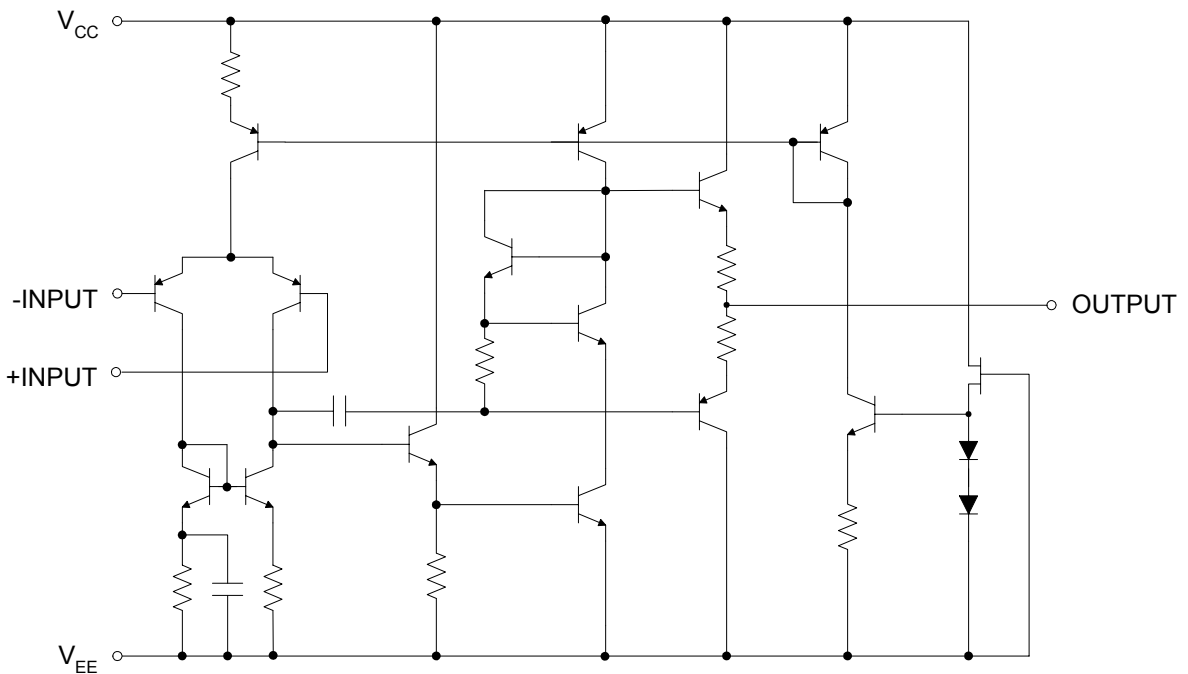


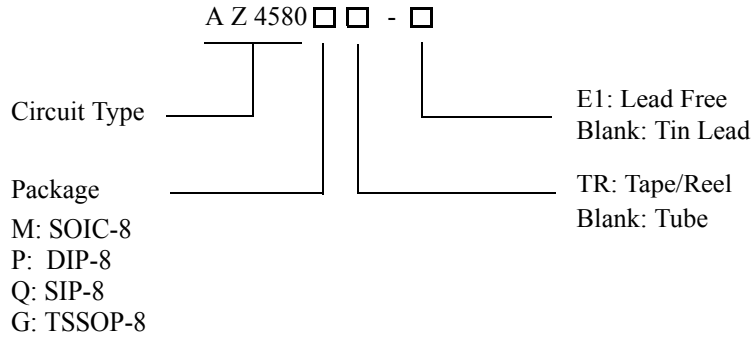
Figure 3. Representative Schematic Diagram of AZ4580 (Each Amplifier)



DUAL LOW NOISE OPERATIONAL AMPLIFIERS

AZ4580

Ordering Information



Package	Temperature Range	Part Number		Marking ID		Packing Type
		Tin Lead	Lead Free	Tin Lead	Lead Free	
SOIC-8	-40 to 85°C	AZ4580M	AZ4580M-E1	4580M	4580M-E1	Tube
		AZ4580MTR	AZ4580MTR-E1	4580M	4580M-E1	Tape/Reel
DIP-8	-40 to 85°C	AZ4580P	AZ4580P-E1	AZ4580P	AZ4580P-E1	Tube
SIP-8	-40 to 85°C	AZ4580Q	AZ4580Q-E1	AZ4580Q	AZ4580Q-E1	Tube
TSSOP-8	-40 to 85°C	AZ4580G	AZ4580G-E1	G80	EG80	Tube
		AZ4580GTR	AZ4580GTR-E1	G80	EG80	Tape/Reel

The listed part numbers are used during the transition to lead-free products. After the transition completed, lead-free products will be considered as the "standard" and we will resume the original part numbers.

**DUAL LOW NOISE OPERATIONAL AMPLIFIERS****AZ4580****Absolute Maximum Ratings (Note 1)**

Parameter	Min	Max	Unit	
Power Supply Voltage	V_{CC}	+ 20	V	
	V_{EE}	- 20		
Differential Input Voltage	V_{ID}	± 30	V	
Input Voltage	V_{IC}	± 15	V	
Power Dissipation	P_D	DIP-8	800	mW
		SOIC-8	800	
		SIP-8	800	
		TSSOP-8	800	
Operating Temperature Range	T_{OP}	-40 to 85	$^{\circ}C$	
Storage Range	T_{STG}	-60 to 150	$^{\circ}C$	
ESD (Human Body Model)		4000	V	
ESD (Machine Model)		350		

Note 1: Stresses greater than those listed under "Absolute Maximum Ratings" may cause permanent damage to the device. These are stress ratings only, and functional operation of the device at these or any other conditions beyond those indicated under "Recommended Operating Conditions" is not implied. Exposure to "Absolute Maximum Ratings" for extended periods may affect device reliability.

Recommended Operating Conditions

Parameter	Min	Max	Unit
Supply Voltage	± 2	± 18	V



DUAL LOW NOISE OPERATIONAL AMPLIFIERS

AZ4580

Electrical Characteristics

Operating Conditions: $V_{CC} = +15V$, $V_{EE} = -15V$, $T_A = 25^\circ C$ unless otherwise specified.

Parameter	Conditions	Min	Typ	Max	Unit
Supply Current	no load		4	7	mA
Input Offset Voltage	$R_S \leq 10K\Omega$		0.5	3	mV
Input Offset Current			5	100	nA
Input Bias Current			150	500	nA
Input Common Mode Voltage Range		± 12	± 13.5		V
Common Mode Rejection Ratio	$V_{CM} = 0V$ to $V_{CC} - 1.5V$, $R_S \leq 10K\Omega$	80	110		dB
Large Signal Voltage Gain	$R_L = 2K\Omega$, $V_O = \pm 10V$	90	110		dB
Power Supply Rejection Ratio	$R_S \leq 10K\Omega$	80	110		dB
Output Sink Current	$V_- = 1V$, $V_+ = 0V$, $V_O = 2V$		80		mA
Output Source Current	$V_+ = 1V$, $V_- = 0V$, $V_O = 2V$		45		mA
Slew Rate	$R_L \geq 2K\Omega$		7		V / μS
Gain Bandwidth Product	$R_L = 2K\Omega$, $f = 10KHz$		15		MHz
Total Harmonic Distortion	$A_V = 20dB$, $V_O = 5V$ $R_L = 2K\Omega$, $f = 1KHz$		0.0005		%
Equivalent Input Noise Voltage	RIAA $R_S = 2.2K\Omega$, 30KHz LPF		0.7		μV_{RMS}



DUAL LOW NOISE OPERATIONAL AMPLIFIERS

AZ4580

Typical Performance Characteristics

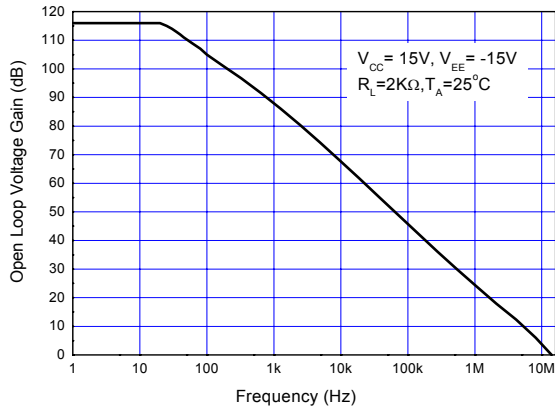


Figure 4. Open Loop Voltage Gain vs. Frequency

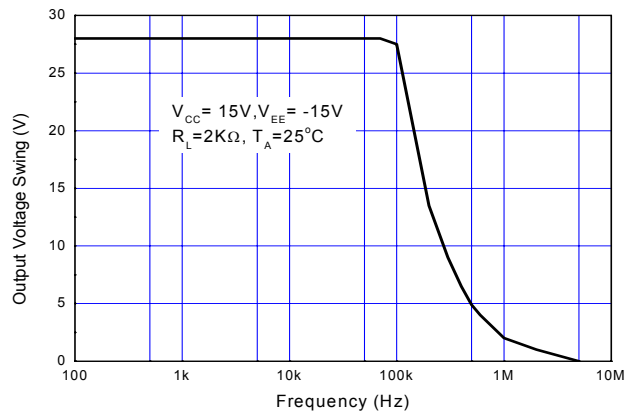


Figure 5. Maximum Output Voltage Swing vs. Frequency

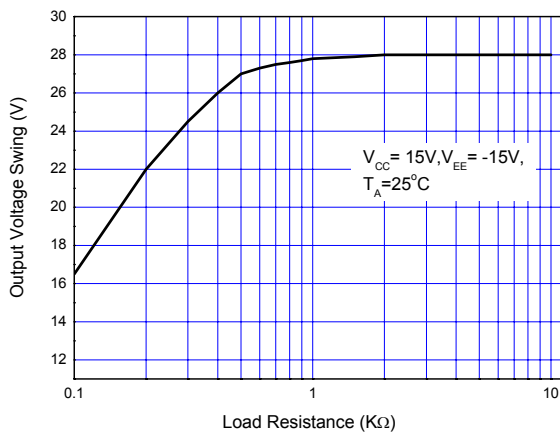


Figure 6. Maximum Output Voltage Swing vs. Load Resistance

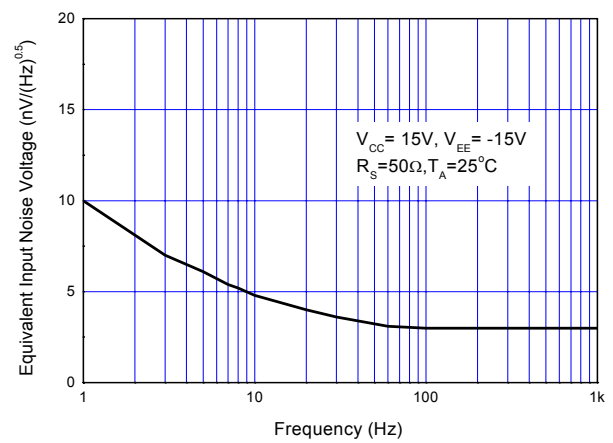


Figure 7. Equivalent Input Noise Voltage vs. Frequency



DUAL LOW NOISE OPERATIONAL AMPLIFIERS

AZ4580

Typical Performance Characteristics (Continued)

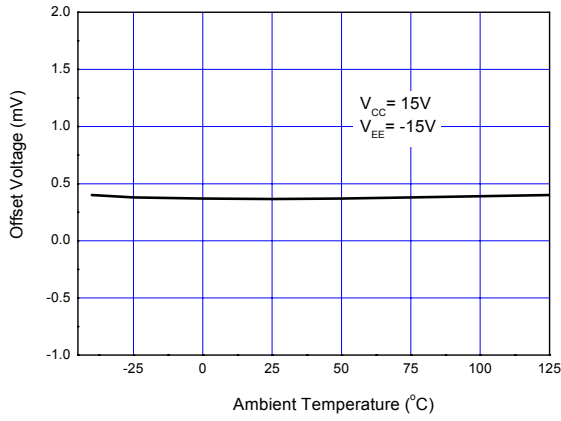


Figure 8. Input Offset Voltage vs. Temperature

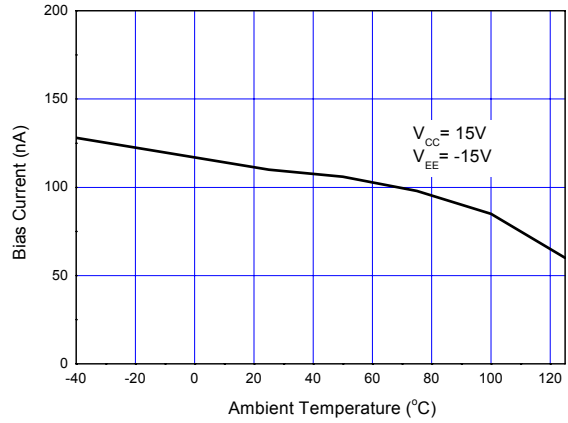


Figure 9. Input Bias Current vs. Temperature

Typical Applications

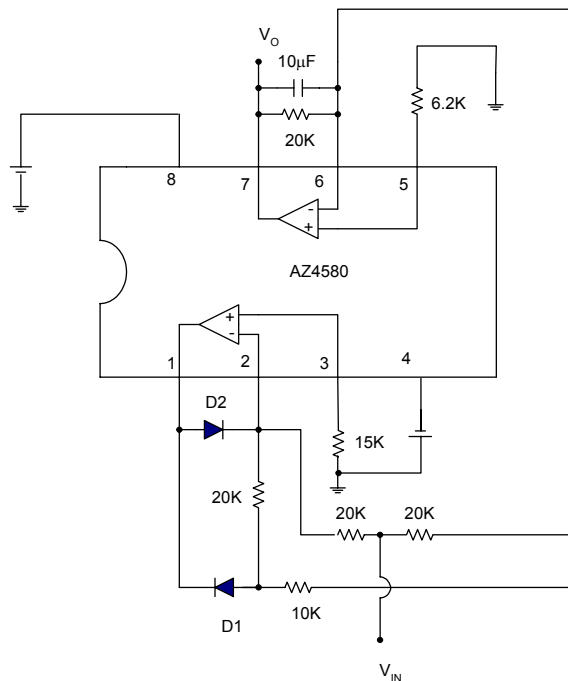


Figure 10. Application of AZ4580 in an AC/DC Converter



DUAL LOW NOISE OPERATIONAL AMPLIFIERS

AZ4580

Typical Applications (Continued)

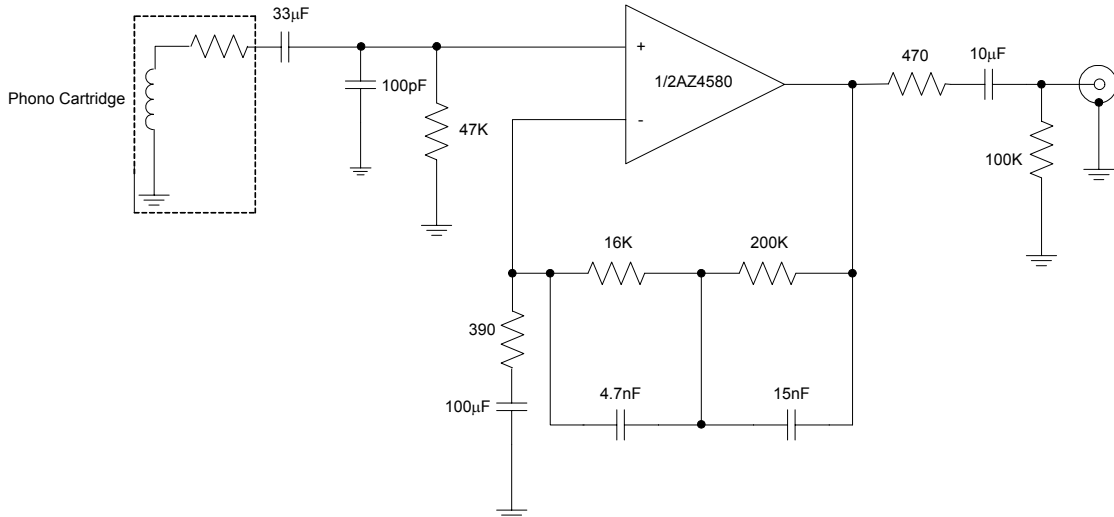


Figure11. Application of AZ4580 in a RIAA Preamp

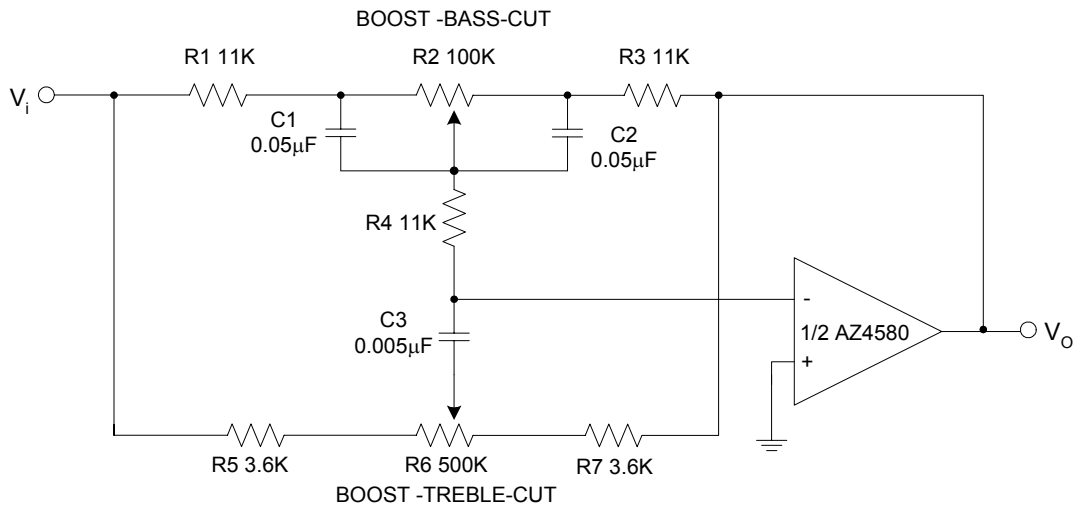


Figure12. Application of AZ4580 in Tone Control



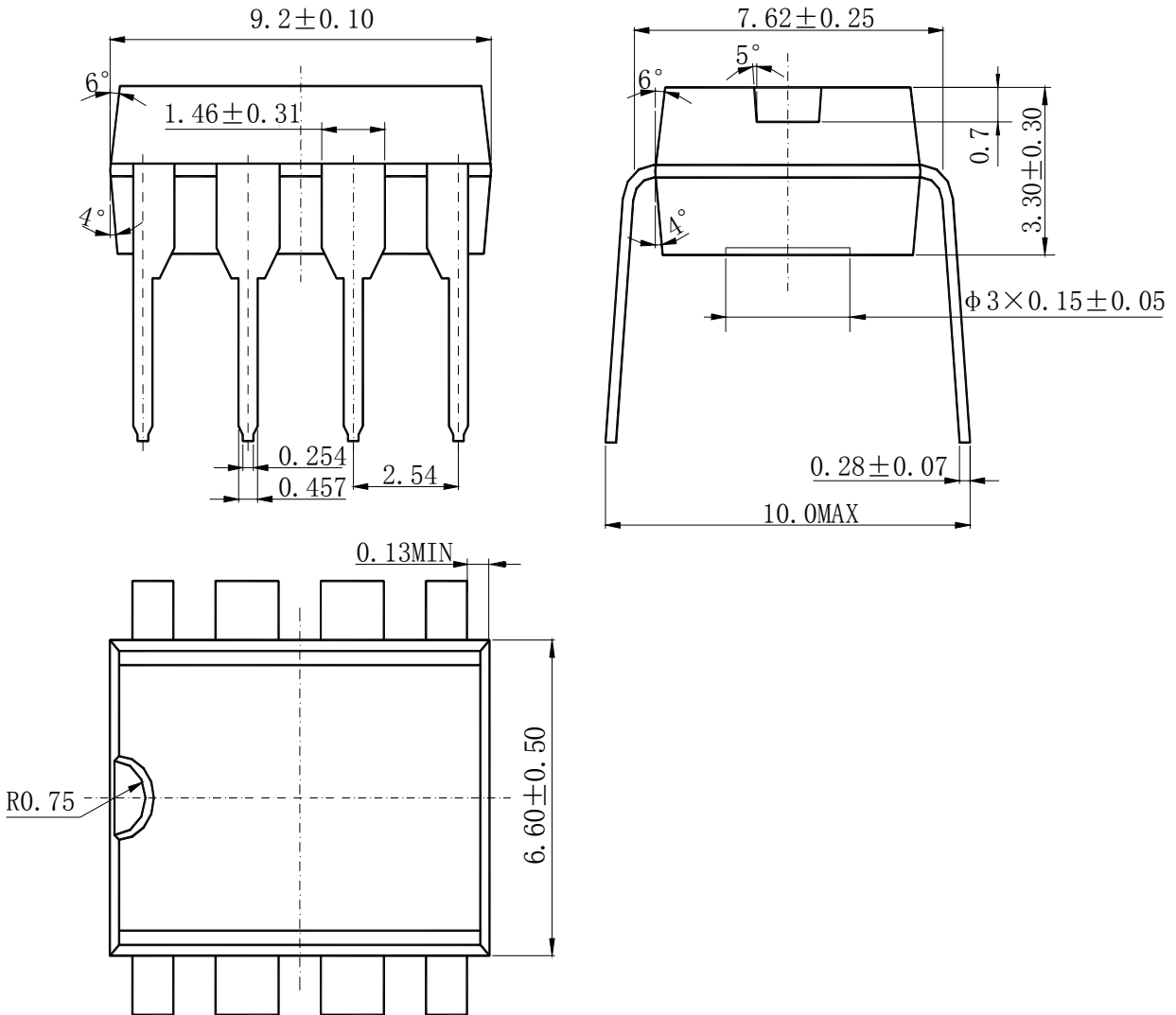
DUAL LOW NOISE OPERATIONAL AMPLIFIERS

AZ4580

Mechanical Dimensions

DIP - 8

Unit: mm





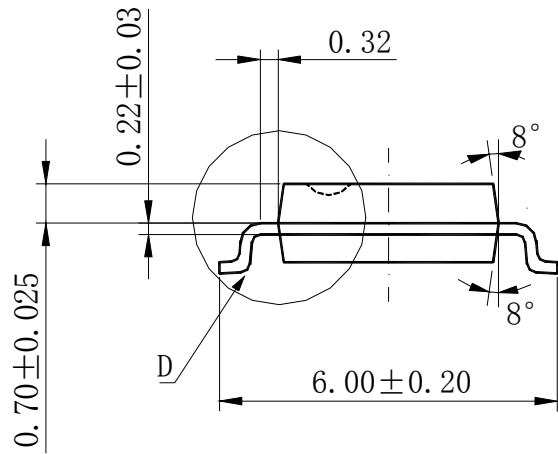
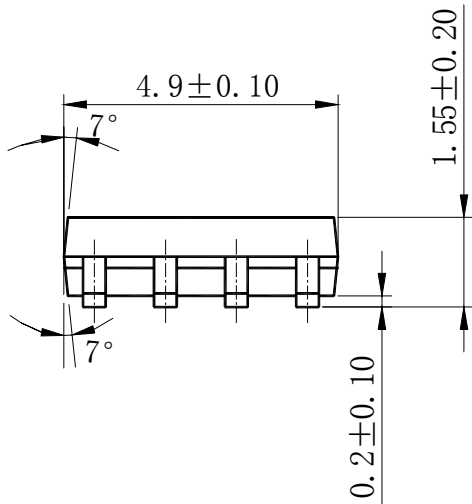
DUAL LOW NOISE OPERATIONAL AMPLIFIERS

AZ4580

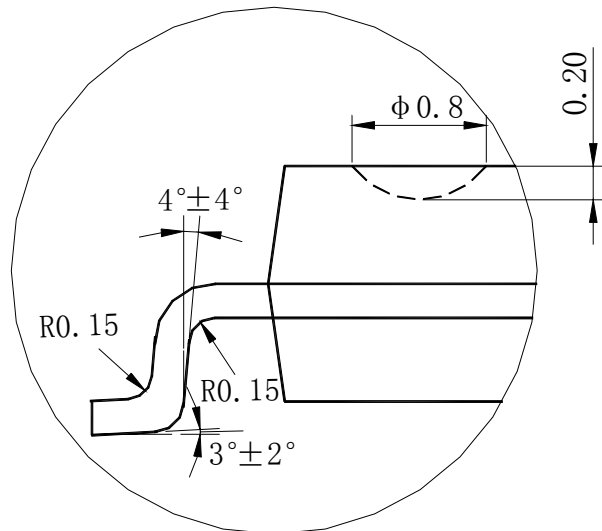
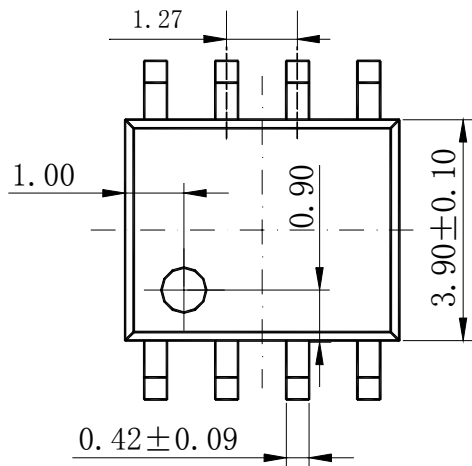
Mechanical Dimensions (Continued)

SOIC - 8

Unit: mm



D
20:1





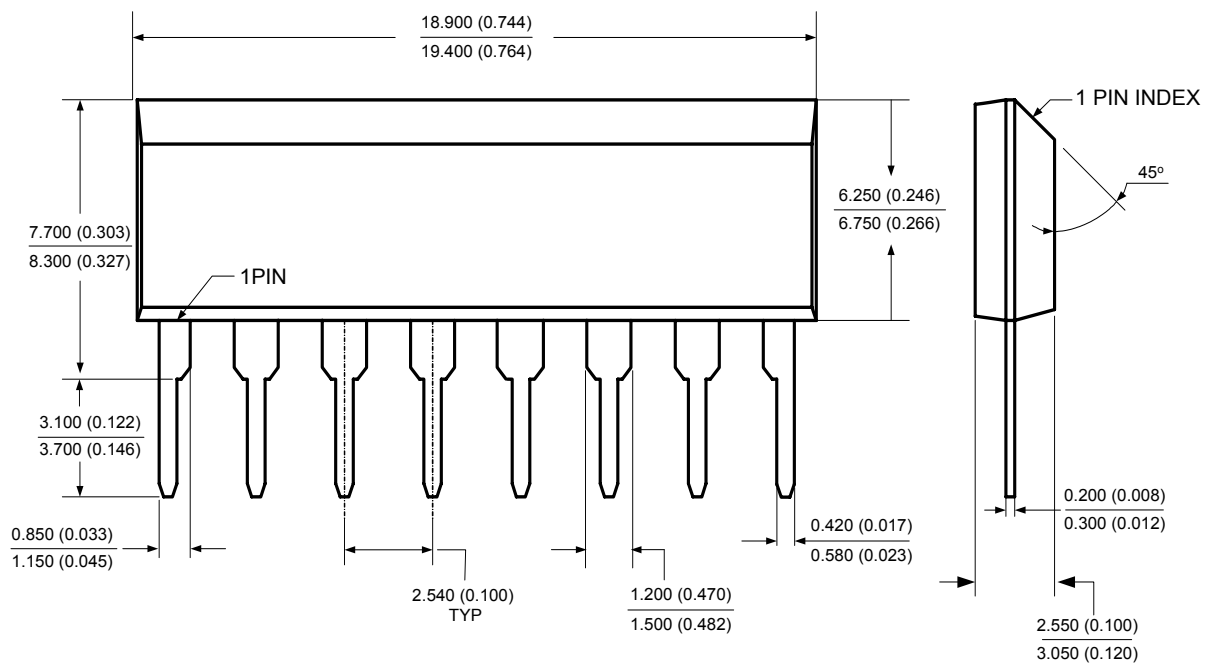
DUAL LOW NOISE OPERATIONAL AMPLIFIERS

AZ4580

Mechanical Dimensions (Continued)

SIP - 8

Unit: mm(inch)





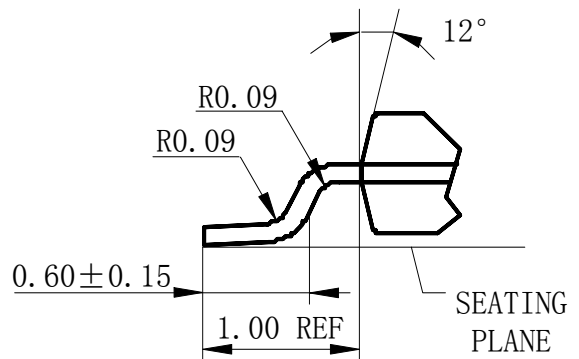
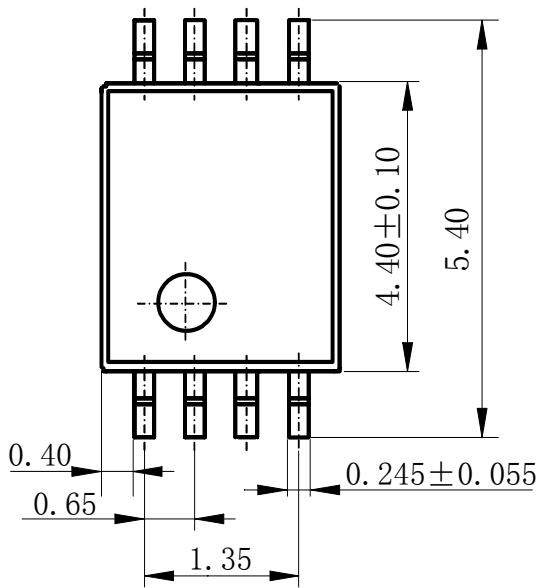
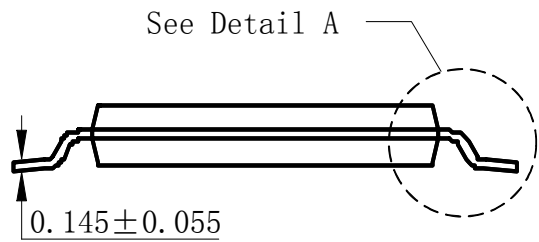
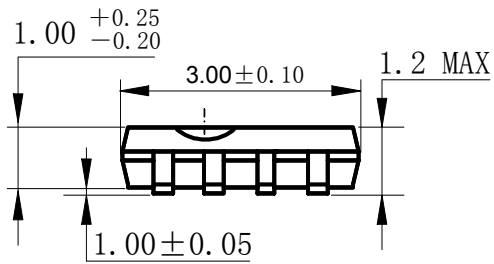
DUAL LOW NOISE OPERATIONAL AMPLIFIERS

AZ4580

Mechanical Dimensions (Continued)

TSSOP - 8

Unit: mm





BCD Semiconductor Manufacturing Limited

<http://www.bcdsemi.com>

<http://www.aacmicro.com>

BCD Semiconductor Corporation

860 Hillview Court, Suite 160, Milpitas, CA 95035, USA

Tel: +1-408-586 8809, Fax: +1-408-586 8802

Shanghai SIM-BCD Semiconductor manufacturing Co., Ltd.

800 Yi Shan Road, Shanghai 200233, PRC

Tel: +86-21-6485-1491, Fax: +86-21-5450-0008

Advanced Analog circuits (Shanghai) Corporation

8F, B Zone, 900 Yi Shan Road, Shanghai 200233, PRC

Tel: +86-21-6495 9539, Fax: +86-21-6485 9673

BCD Semiconductor (Taiwan) company Limited

Room 2210, 22nd Fl, 333, Keelung Road, Sec. 1, TaiPei (110), Taiwan

Tel: +886-2-2758 6828, Fax: +886-2-2758 6892

IMPORTANT NOTICE

BCD Semiconductor Manufacturing Limited reserves the right to make changes without further notice to any products or specifications herein. BCD Semiconductor Manufacturing Limited does not assume any responsibility for use of any its products for any particular purpose, nor does BCD Semiconductor Manufacturing Limited assume any liability arising out of the application or use of any its products or circuits. BCD Semiconductor Manufacturing Limited does not convey any license under its patent rights or other rights nor the rights of others.